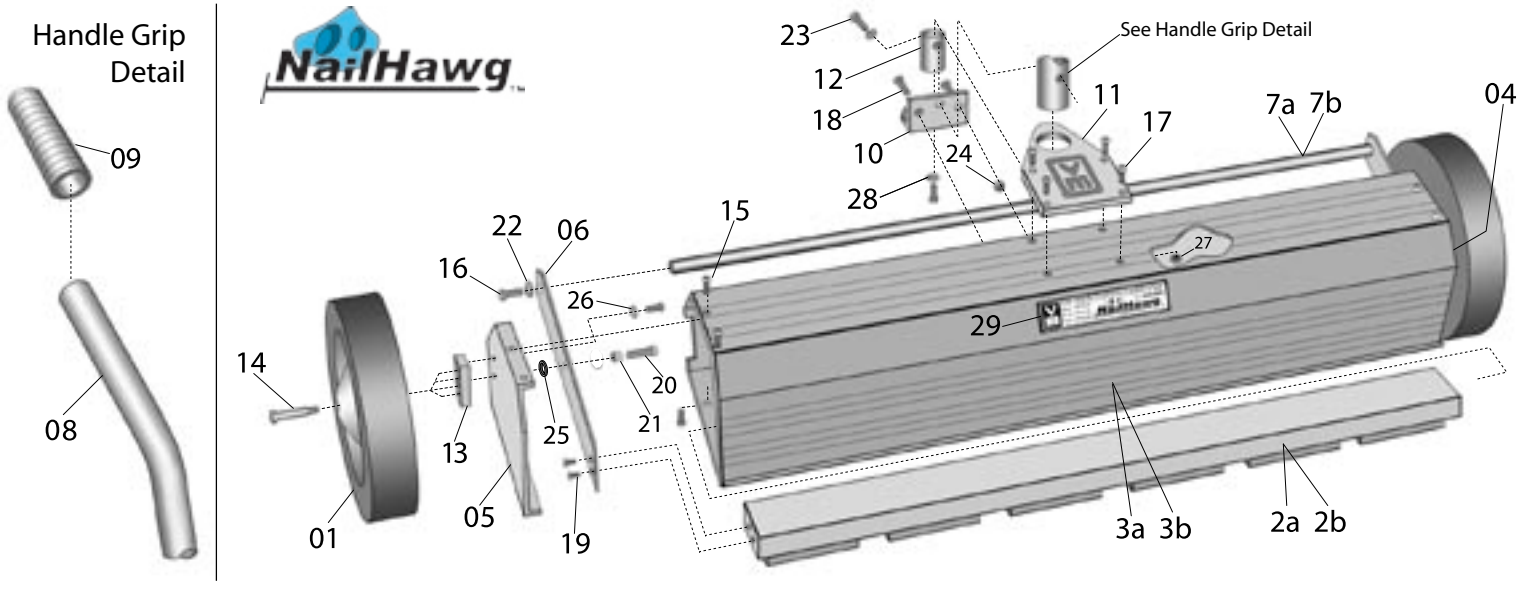


Order Early For "Quick Delivery" • Call Toll-Free 1-800 Van Mark • Fax-Free 1-888 Van Mark



NailHawg™ Model No NH25



NailHawg™ Model No NH31

Ref No	Part No	Description	Qty Ea
01	4054	Wheel	2
2a	4074	Mag Assy NH25	1
2b	4075	Mag Assy. NH31	1
3a	4076	Body, NH25	1
3b	4077	Body, NH31	1
04	4080	End Cap, Right	1
05	4081	End Cap, Left	1
06	4068	Pivot Arm	2
7a	4082	Release Rod, NH25	1
7b	4083	Release Rod, NH31	1
08	4078	Handle	1
09	4596	Grip	1
10	4084	Handle Brkt, Lower	1
11	4085	Handle Brkt, Upper	1
12	4073	Handle Post	1
13	4086	Wheel Brkt	2

Ref No	Part No	Description	Qty Ea
14	2039	Axle Bolt	2
15	2005	10-24x1/2" Scw	6
16	2050	5/16-18x3/4" Scw	3
17	2002	10-24x3/4" Scw	4
18	2033	1/4-20x5/8" Scw	4
19	2004	10-24x1/2" Scw	4
20	2040	1/4-20x1" Scw	2
21	4087	Pivot Spacer	2
22	2504	5/16 Lock Wash	3
23	2055	5/16-18x1 1/2" Scw	1
24	2313	1/4-20 Nyloc Nut	2
25	2501	Washer, Nylon	2
26	2511	Washer, Star	2
27	2317	10-24 Nyloc Nut	4
28	2505	5/16 Flat Washer	1
29	4088	Product Label	1

Terms and Conditions: Prices subject to change without notice. Call for current prices before quoting. Orders must include model and serial no in order to guarantee correct parts are shipped. \$25.00 minimum order. F.O.B. Farmington Hills, MI. U.S. funds only.



24145 Industrial Park Dr., Farmington Hills, MI 48335
 Toll Free No. 1-800-Van Mark Toll Free Fax. 1-888-Van Mark
 Phone No. 1-248-478-1200 Area Fax No. 1-248-478-1226
 Web Site: www.van-mark.com E-Mail: sales@van-mark.com