

Mark I™ 60 Series

Parts List

Effective 4-01-04

For Quick "Same Day Shipment" Order Early!

Rev. 12-15-05

Save Time! Save Money! Order Toll-Free 24 Hrs Call Free 1-800 Van Mark Fax Free 1-888 Van Mark

All 300 Series Parts Numbers are Complete "Ready to Use" Assemblies.





Ref	Part Name	Model	Model	Model
		M860 Contr M861 Comm	M1060Contr M1061Comm	M1260Contr M1261Comm
		P/N	P/N	P/N
1	Tube, Cam	4403	4404	4405
2	F-Bar, Red w/SS Strip	3950	3952	3954
3	Contr Comm	3951	3953	3955
4	Hinge, Front w/Red Vinyl Strip	3961	3962	3963
5	Hinge, Fixed Rear	4425	4427	4429
6	Contr Comm	4426	4428	4430
7	Rail, Base	4437	4439	4441
8	Contr Comm	4438	4440	4442
9	Strips, Red Vinyl Wear (2 ea)	3658	3658	3658
10	*Strip, Stainless Steel Edge 2 pc*	4771	4772	4773
11	Pin, Stainless Steel Hinge	4062	4063	4064
12	Rule, Tape Inches/Metric	4765	4765	4765

*Can Ship Via UPS in 2 pcs.

Parts For All Models

Ref	Part Name	P/N
13	Handle, Bending w/Brkts	3969
14	Brackets, Bending Handle (2 ea)	3579
15	Handle, Locking w/Brackets	3970
16	Brackets, Locking Handle (2 ea)	3931
17	Handles, Carrying (2 ea)	3968
18	Cam, Locking	4801
19	Pads, Wedge UHMW (6 ea)	3971
20	Bearings, Cam Tube UHMW 2 ea	3901
21	Springs, Coil 3/4x1 3/4" (4 ea)	3902
22	Casting, Upper Pivot Arm	4462
23	Casting, Base C Clamp	4461
24-27	Material Stop Assembly (2 ea)	3965
28	Red Grip for Lock/Bend Handle	4464

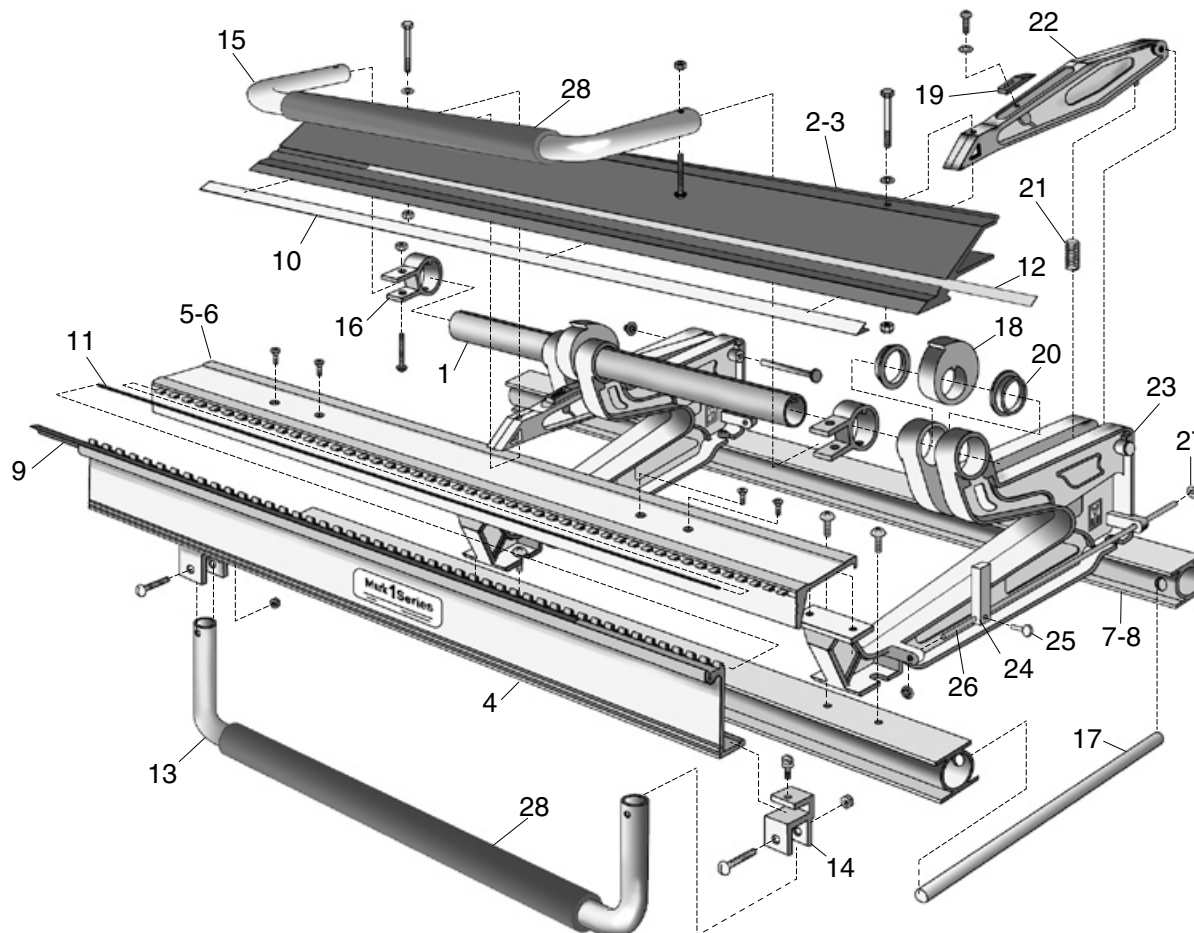
Optional Accessories

Saw Horses 3003	Folding Legs 3002	Wheel Kit 3004	Shelf Brackets 3006
For general duty (saw horses fold away when not in use)	Heavy-Duty steel legs (includes hardware)	Fits All Van Mark Brakes Attaches to one end of Brake Base Rails	Allows workshelf to be added to top of brake (shelf not included)
			

Tune-Up Kits

Ref	Contents
	Contractor Model P/N 3966 Commercial Model P/N 3967
9	Strip, Red Vinyl Wear
19	Pads, Wedge UHMW
21	Springs, Coil 3/4 x 1 3/4"
	Screw & Fastener Package, Misc

Call for assistance when ordering parts for 2' 6", 4' 6", 6' 6" and 14' 6" Contractor/Commercial brakes.



Terms and Conditions: Prices subject to change without notice. Call for current prices before quoting. Orders must include model and serial no in order to guarantee correct parts are shipped. \$25.00 minimum order. F.O.B. Farmington Hills, MI. U.S. funds only.



24145 Industrial Park Dr., Farmington Hills, MI 48335
 Toll Free No. 1-800-Van Mark Toll Free Fax. 1-888-Van Mark
 Phone No. 1-248-478-1200 Area Fax No. 1-248-478-1226
 Web Site: www.van-mark.com E-Mail: sales@van-mark.com